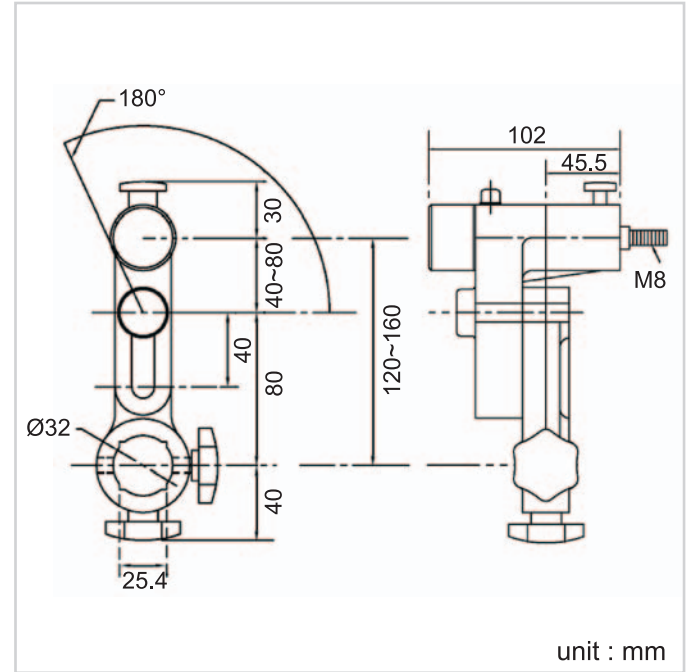


Sensor Bracket



Dimensions



TOUGU DENKI Sensor Bracket is a gun-shaped bracket for mounting a sensor, it guarantees precise and vibration free.

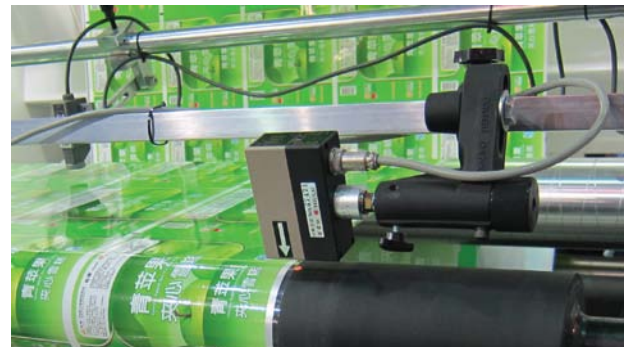
With a mounting ring, it can be mounted on a Ø32 round rod or 1 inch square rod. The Sensor Bracket can be used on TOUGU DENKI Edge Sensors and Color Line Sensors.

Technical Data

Model	Sensor Bracket
Housing Material	Aluminium
Mounting Ring	Ø32 Round Rod 1 inch Square Rod
Micro-adjust Range	25 mm
Color	Black
Weight	700g



Sensor Bracket is used with Ultrasonic Edge Sensor



Sensor Bracket is used with Color Line Sensor